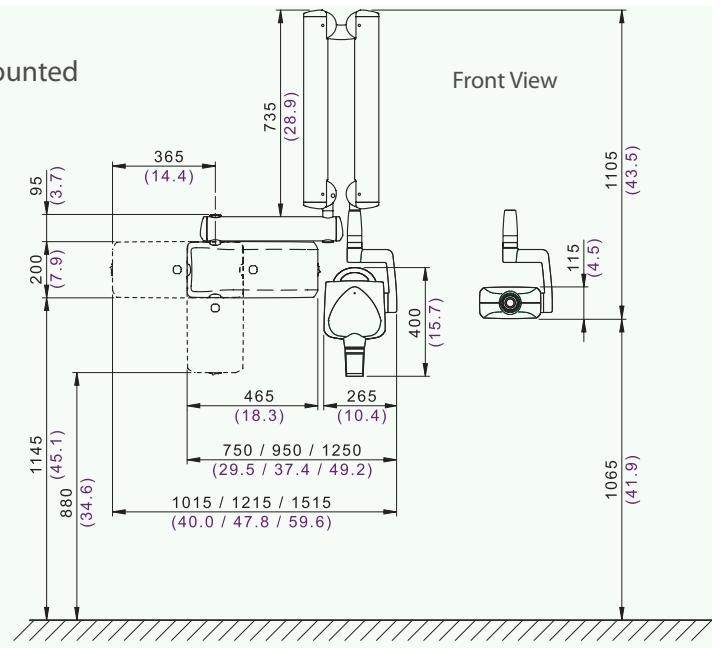
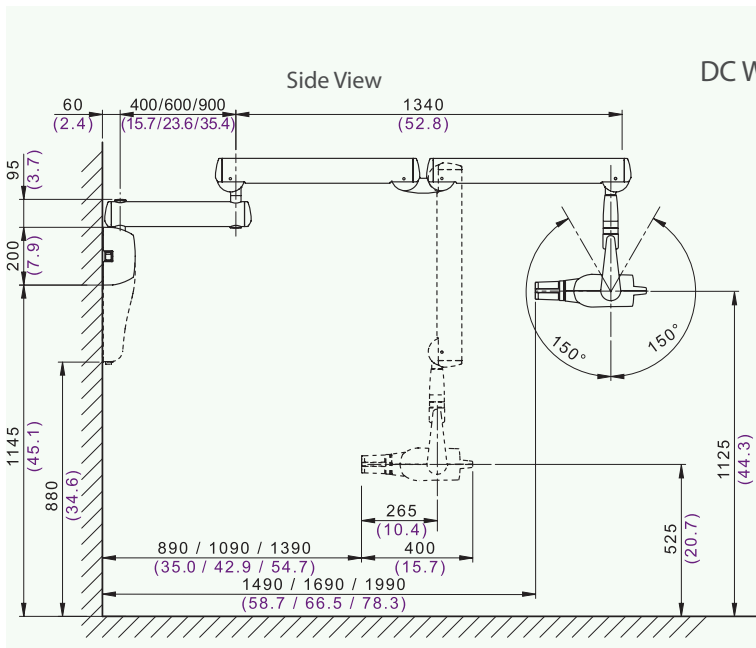
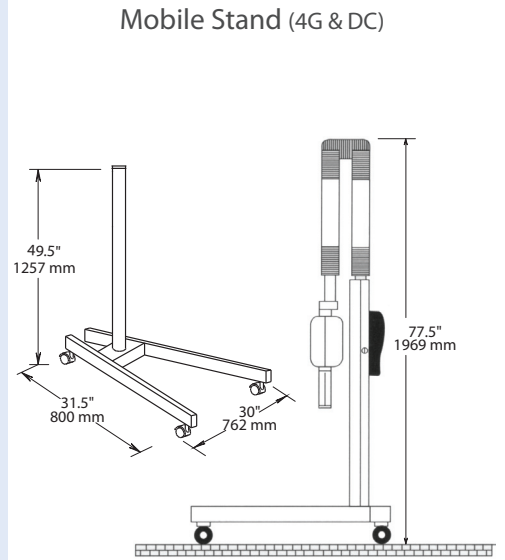
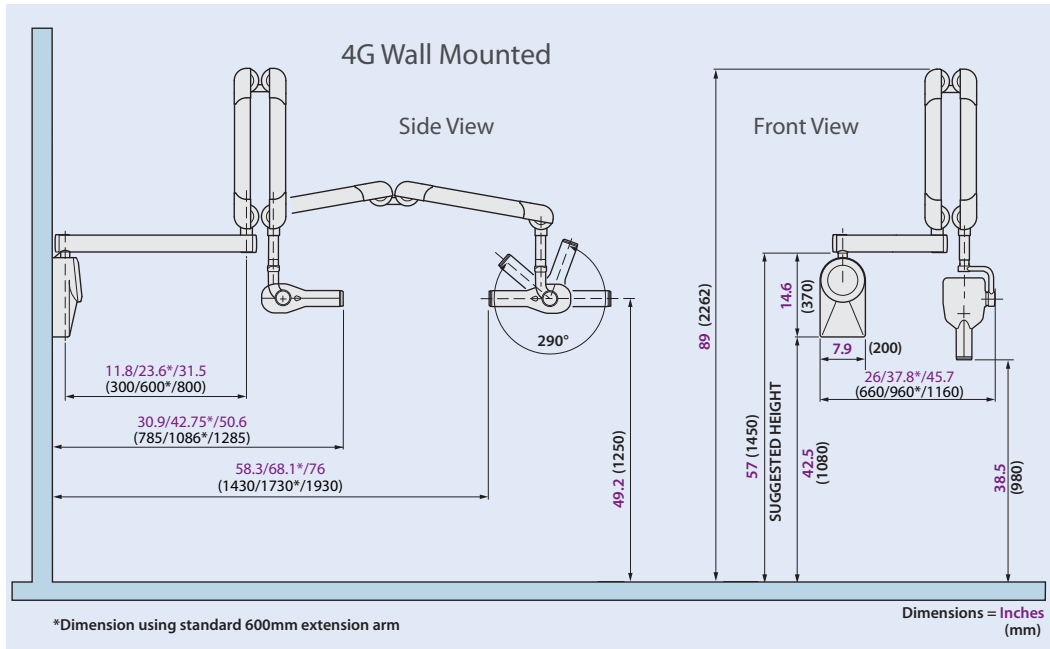


# ImageWorks Dental Imaging Solutions For Every Veterinary Practice

## Dimensional Data



## Veterinary Dental Imaging Solutions from ImageWorks

EVA-Vet® Plus Digital Dental Sensors | Image-Vet® DC Dental X-Ray | Image-Vet® 4G Dental X-Ray  
 Image-Vet® Freedom Portable Dental X-Ray | Image-Vet® SAINT 3D Tomography System | ViewAll® Vet Software



ImageWorks  
 250 Clearbrook Road, Suite 240  
 com

1.800.592.6666  
 P 914.592.6100

www.ImageWorksCorporation.

Products are continuously under review in the spirit of technical advancement. Actual specifications are subject to improvement or modification without notice. Copyright © 2011 ImageWorks. All rights reserved. Reproduction in whole or any part of these contents without written permission is prohibited. Printed in U.S.A.

# Image-Vet<sup>®</sup> 4G & Image-Vet<sup>®</sup> DC

## Intraoral Dental X-Ray Systems

- Superior Image Quality
- Seamlessly Compatible with EVA-Vet<sup>®</sup> Digital Dental Sensors
- Thousands of installations and growing
- Customer Care Program



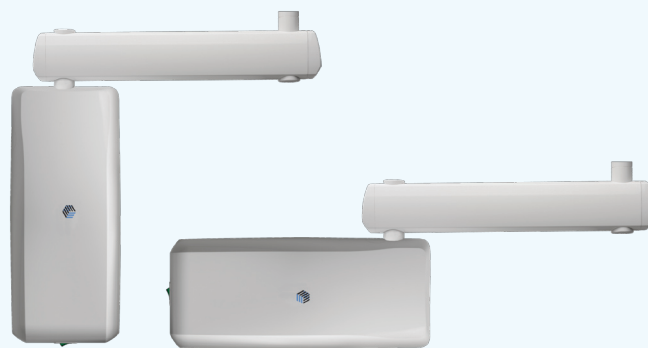
# The World's Leading Veterinary Dental X-Rays

The Image-Vet® **4G & DC** X-ray systems represent the latest generation in the Image-Vet X-Ray series from ImageWorks. The Image-Vet series evolved based on feedback from veterinarians and thought leaders in order to provide the best x-ray that is easy to use, provides sharp images and is economically priced.

The Image-Vet® **4G & DC series** set the standard for veterinary dental radiography. They are the perfect choice for seamless integration with EVA-Vet Digital Dental Sensors and other digital dental systems. The majority of veterinary dentists use ImageWorks dental imaging products, which may be found in universities, major wet labs, veterinary dental training centers and private practices worldwide.

## Precision Imaging

**ImageWorks** debuts its version of DC technology, offering outstanding image quality by means of a 12" embedded collimation and a constant potential high frequency generator. Harmful, low-energy "soft" radiation (which is non-diagnostic), is almost completely eliminated. The lighter weight of the DC tubehead further enhances stability.



### Multiple Wall Mounting Options

Vertical and horizontal mounting options offer great installation versatility with multiple extension arm lengths available.

### Mobile Stand Options

For maximum versatility, the mobile-mounted Image-Vet **4G** and **DC** systems allow you to use the x-rays wherever you would



### Anatomical Wireless Remote

The **DCR** handheld wireless remote allows programming the unit from anywhere within the operatory. Appropriate selections of kV and mA are automatically determined by the tooth selection and patient size. Exposures may also be manually increased or decreased.

### Lightweight Tubehead

The light weight of the DC tubehead as well as long (12") internal collimation provides stable positioning and better X-Rays.

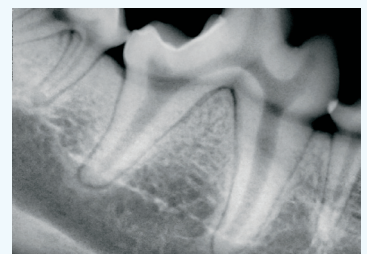


### DC Product Data

DC Product Data	
Classification	Electro-medical equipment Class I type B
Generator	Constant potential, microprocessor controlled
Operating frequency	145KHz - 230 KHz self adjusting (175 KHz typical)
Focal spot	0.7 mm, square, IEC 336
X-Ray fields (at collimator tip)	55mm or 60 mm round
Total filtration	2.5 mm Al
Anode current (mA)	6, 7 mA
Voltage (kV)	60, 63, 65 kVp
Exposure Time	0.010 – 1.000 sec, R10 and R20 scale
Focus to skin distance	30 cm /300 mm - (12")
Line voltage	50/60 Hz, 115V ± 10% or 230V ± 15%
Duty cycle	Self regulating, continuous operation up to 1s/60s
Weight	44.1 Lbs, (20Kg)
Weight of Tube-head	11 Lbs, (5Kg)
Arms	Available in 3 lengths: 15.75" (400 mm) – 23.6" (600 mm) – 35.4" (900 mm)
Certification	CE 0051, cCSAus, FDA approved

### Multiple Exposures

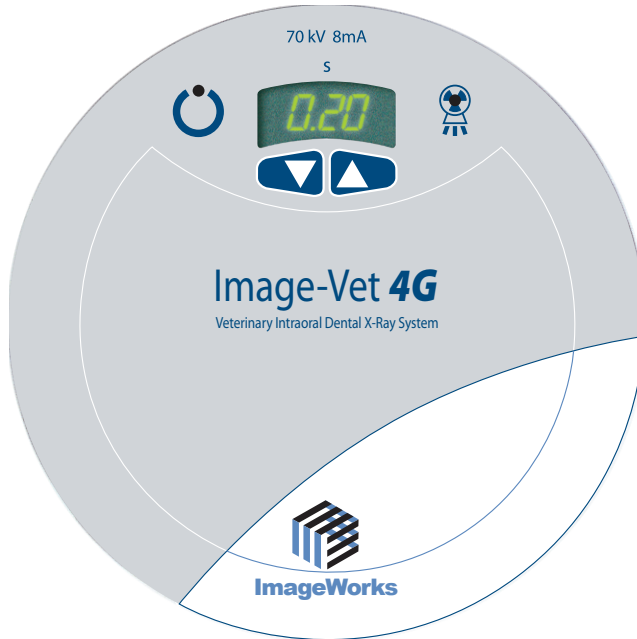
Uninterrupted use during multiple exposures is possible due to a "Dynamic Duty Cycle" that controls tubehead heat.



# Service After The Sale

**ImageWorks** distinguishes itself with an outstanding support program.

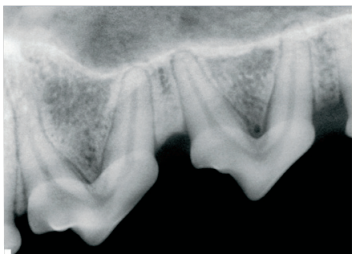
The Customer Care Program offers free lifetime phone and online technical support in addition to support for hardware/software installation and software/application training. Monthly and custom-scheduled free webinars (one-on-one or groups) are offered.



## Timer Faceplate

The easy-to-use timer has a wide exposure range for precise exposure

4G Product Data	
Power supply	120V ±10% 60Hz 230V ±10% 50Hz
X-ray tube	70kV, 8mA
Focal spot	0.8mm IEC 336
Focus to skin distance	20cm (7-7/8") standard
X-ray field (at collimator tip)	Diameter 60mm (2-3/8")
Duty cycle	1:32
Exposure times	0.02 to 3.2s
Shipping weight	102 Lbs (38 Kg)
Warranty	2 year limited - phone and online support free for life
Certifications	ETL for US ( per UL 60601-1) and Canada (CAN/CSA-C22.2 No. 601.1-M90)



## Testimonials

*"ImageWorks has raised the standard of veterinary care by its commitment to veterinary dental imaging. No modern practice can ignore the advantages of intraoral radiography introduced by them".*

~Jan Bellows, DVM, DAVDC  
Home Town Animal Hospital and Dental Clinic  
Weston, Florida



"The Image-Vet Dental X-Ray by ImageWorks is an invaluable tool for our Veterinary Technician Program. **The machine is simple to use and the radiographs we are able to take are amazing.** The Image-Vet has provided the students with the learning opportunities and background to become the veterinary technicians that can make veterinary dentistry a profit center for any practitioner. **ImageWorks has been a valuable partner and has provided amazing support in educating our students."**

~Randy Ackman, DVM  
Kirkwood Community College  
Cedar Rapids, Iowa



"We use the Image-Vet Dental X-Ray from ImageWorks for all of our dental imaging needs at the North Laurel Animal Hospital. **We love the product and feel that it is one that we would recommend strongly to other hospitals."**

~Andrew Cohn  
North Laurel Animal Hospital  
Laurel, MD